

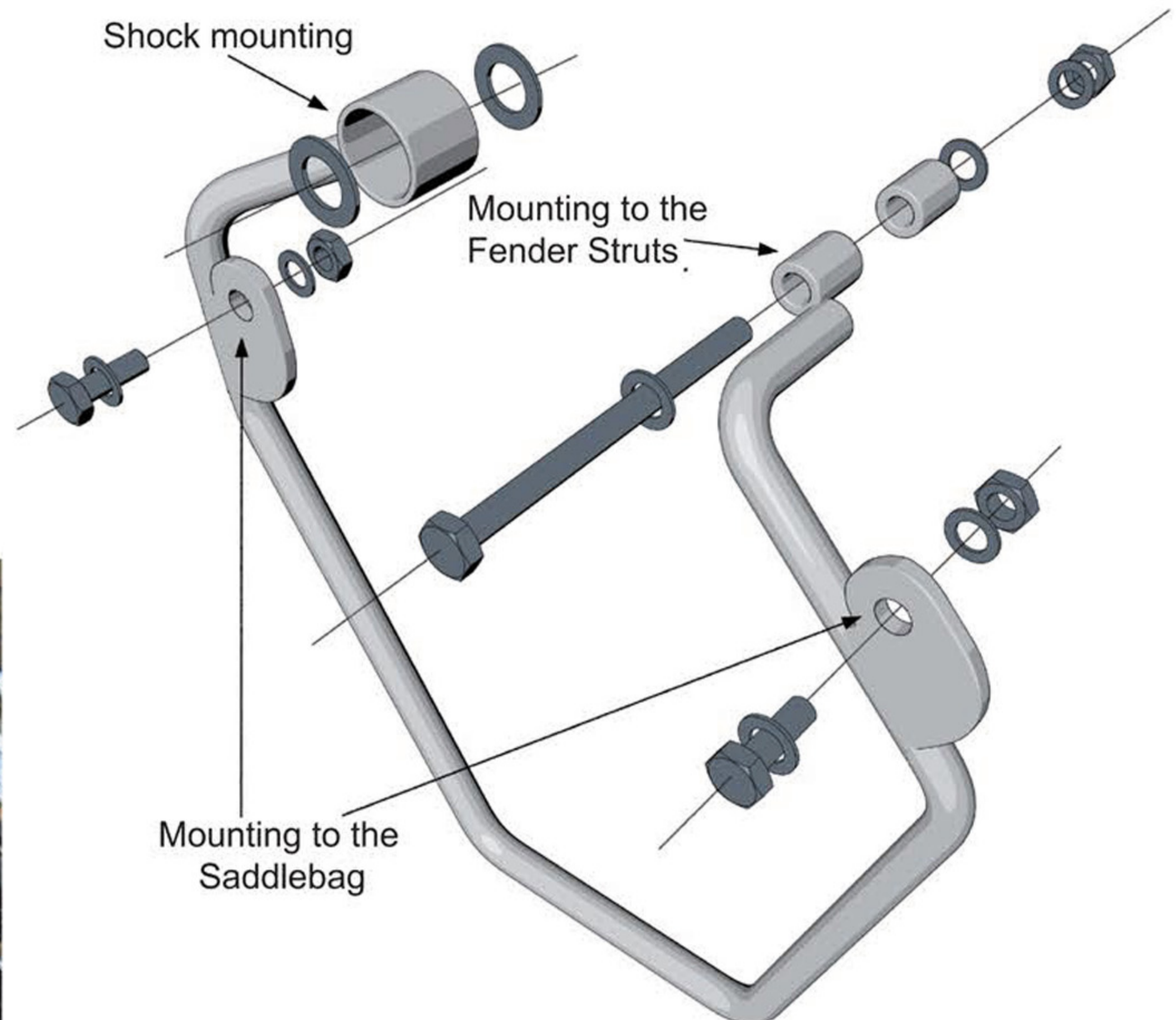
BUFFALO BAG

HANDCRAFTED LEATHER

Mounting instructions saddlebag - Harley-Davidson Sportster (2016-) (left side as example)

Scope of supply:

- 1x Saddlebag
- 1x Bracket
- 1x Bushing black M8 x 22
- 1x Hexagon screw each M8x80 / M8x90 / M8x100
- 2x Hexagon screw M8x30
- 1x Spring washer M8
- 6x Washer 8,4
- 2x Washer 13x24mm
- 3x Nut M8 self-locking 1x Nut M8



The saddlebag bracket is mounted with 2 screws. The front is mounted with the shock. Please use here the original screws and the two 13x24mm washers. Remove the original screws of the struts. Bushings and mounting material is included to mount the rear part of the bracket. The scope of supply includes screws with different length.

Note! We recommend to mount the bracket to the shock first, because of slightly different spacing of holes of the bikes. After that the bracket can be adjusted to the second mounting point.

After the bracket has been mounted, determine the correct position of the bag, mark the corresponding holes and drill 8mm holes in the backside of the saddlebag (aluminum plate). Then fix the bag to the bracket.

