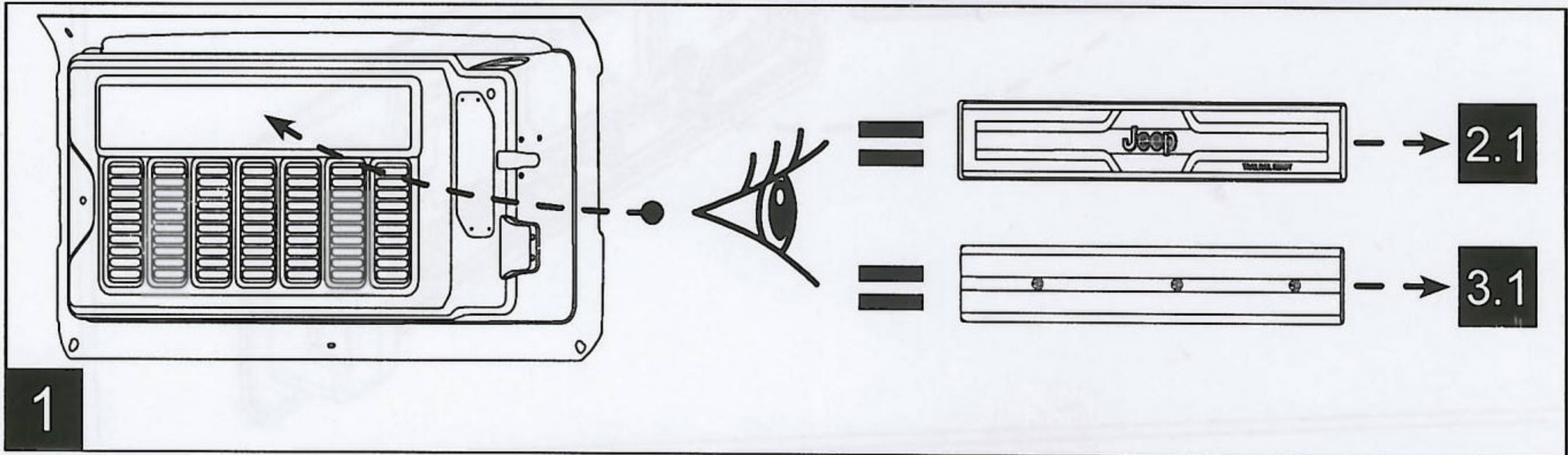
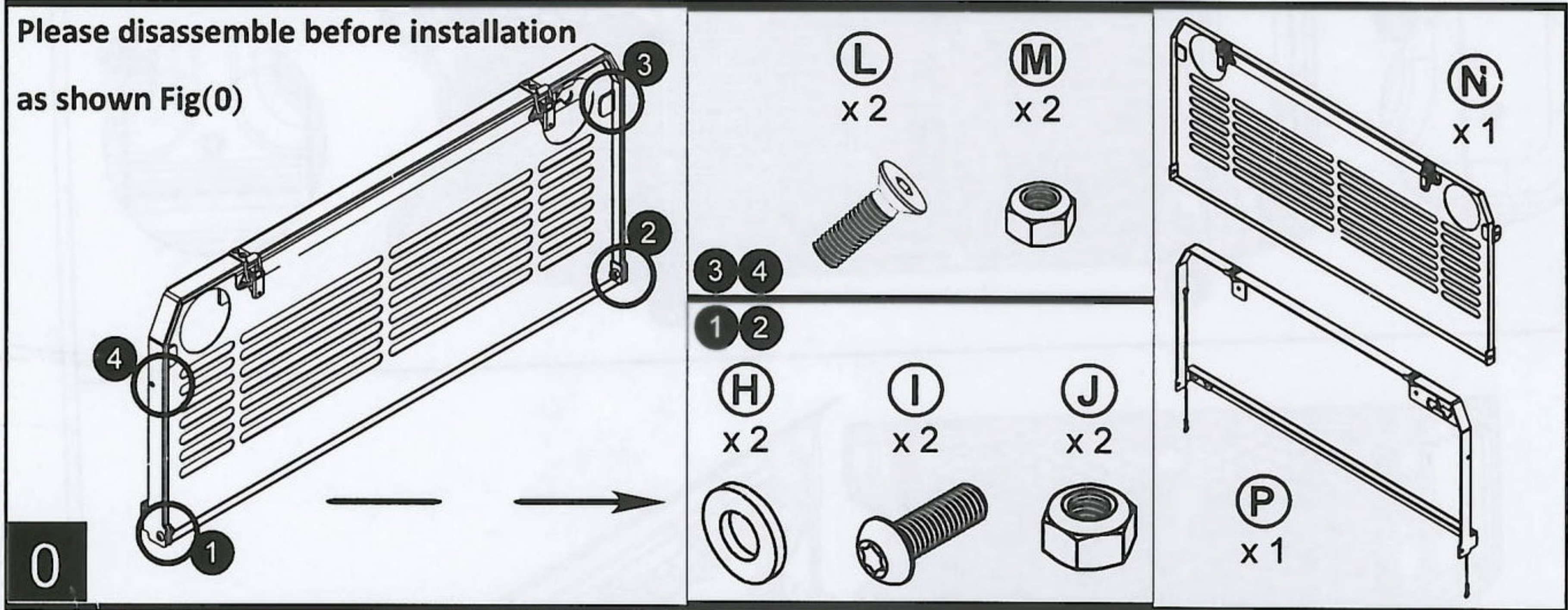
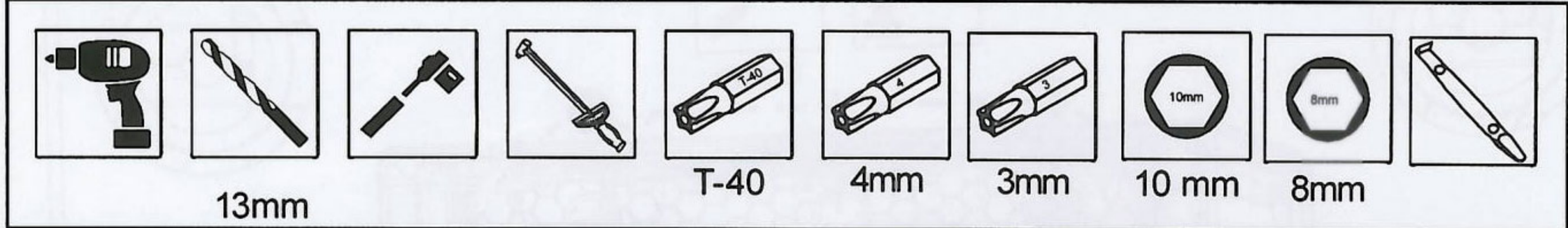
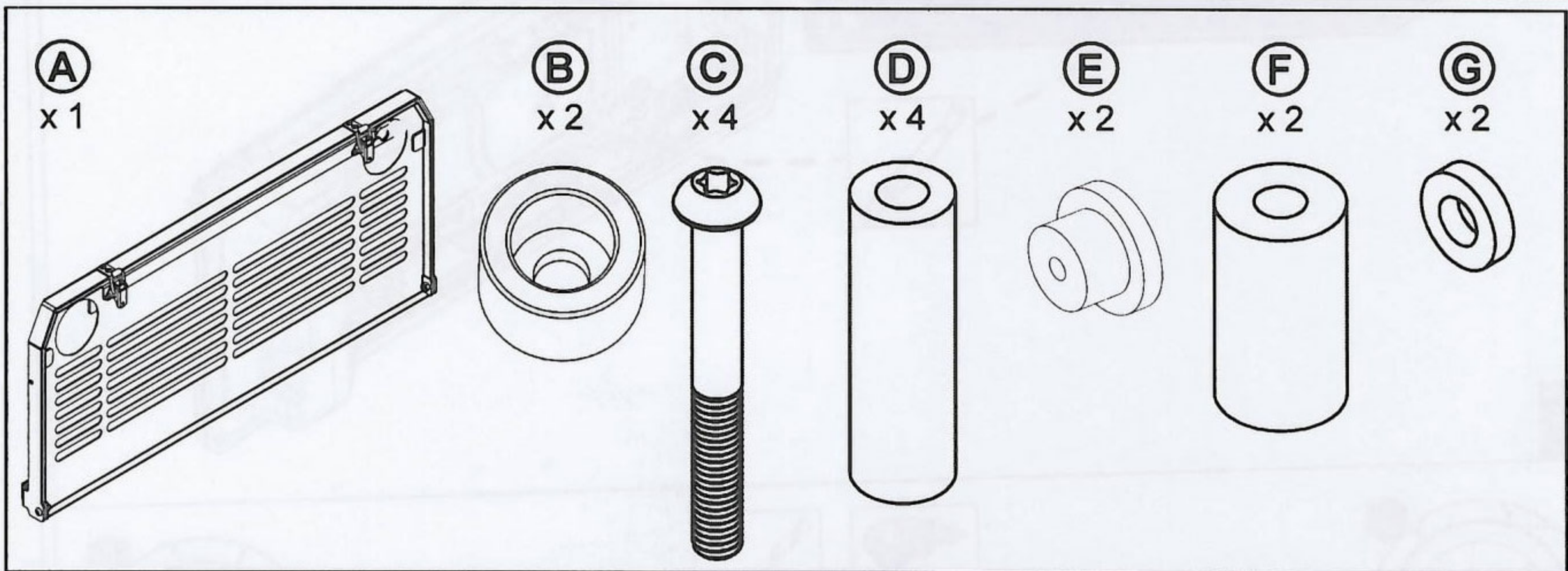
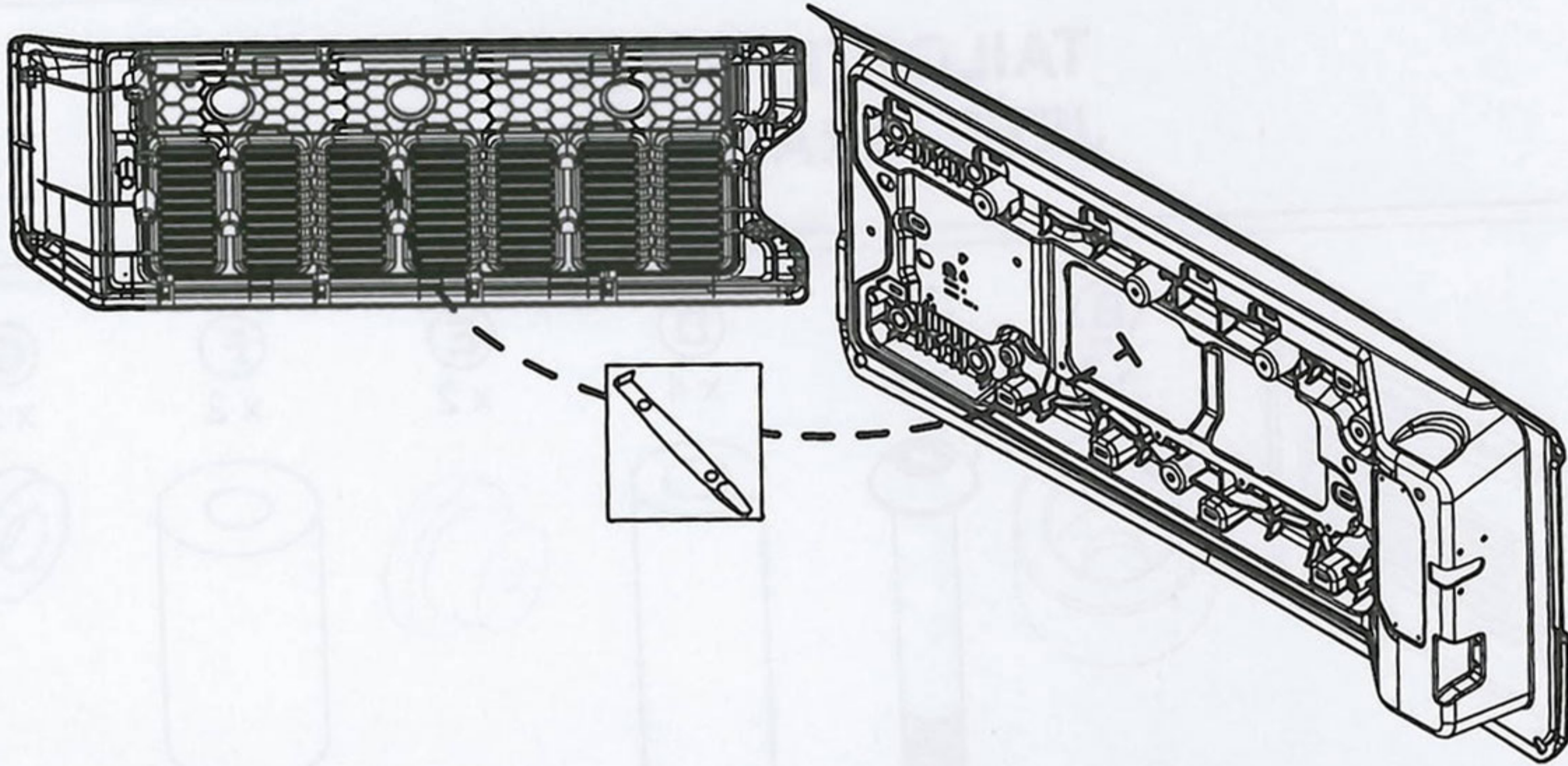
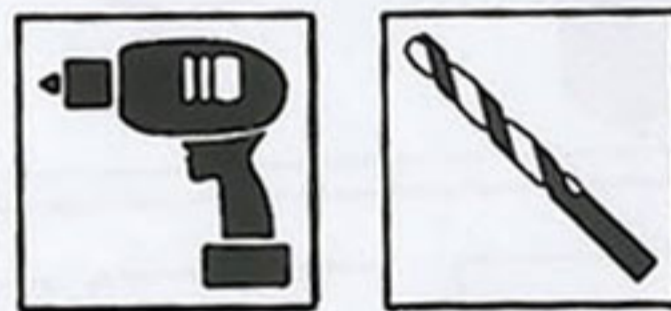
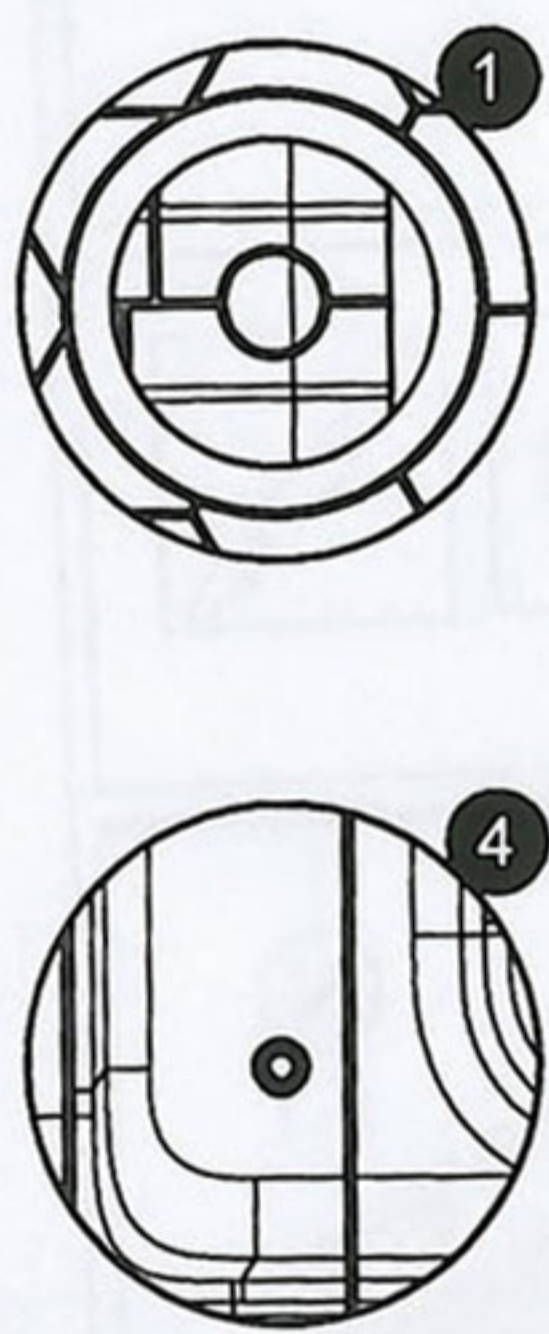


TAILGATE TABLE JEEP WRANGLER

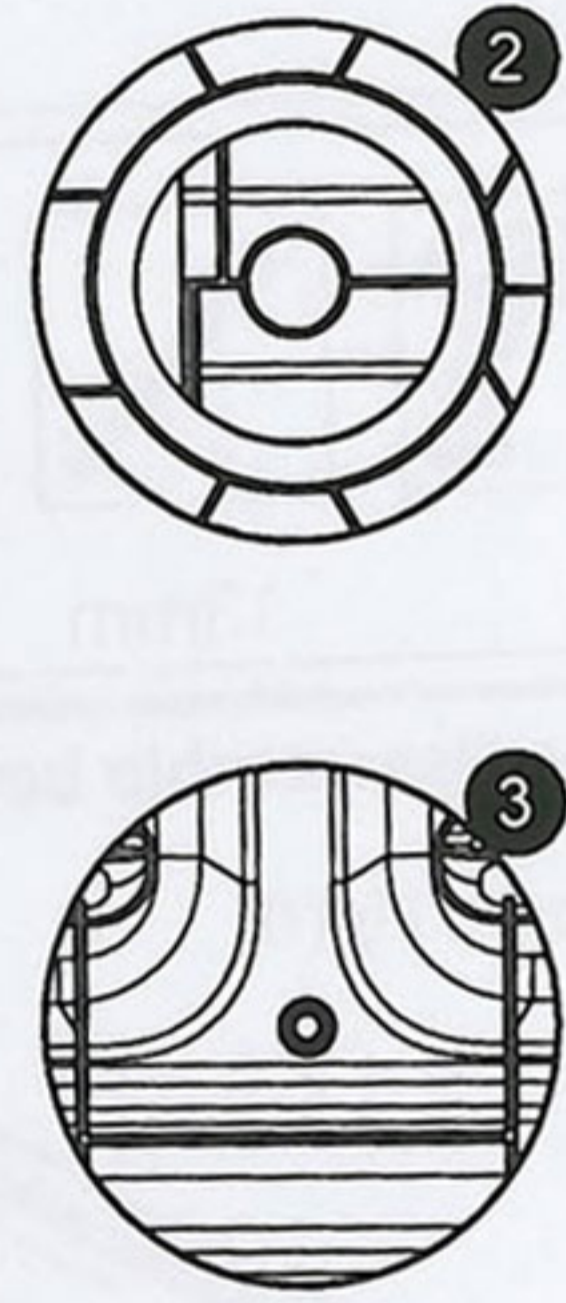
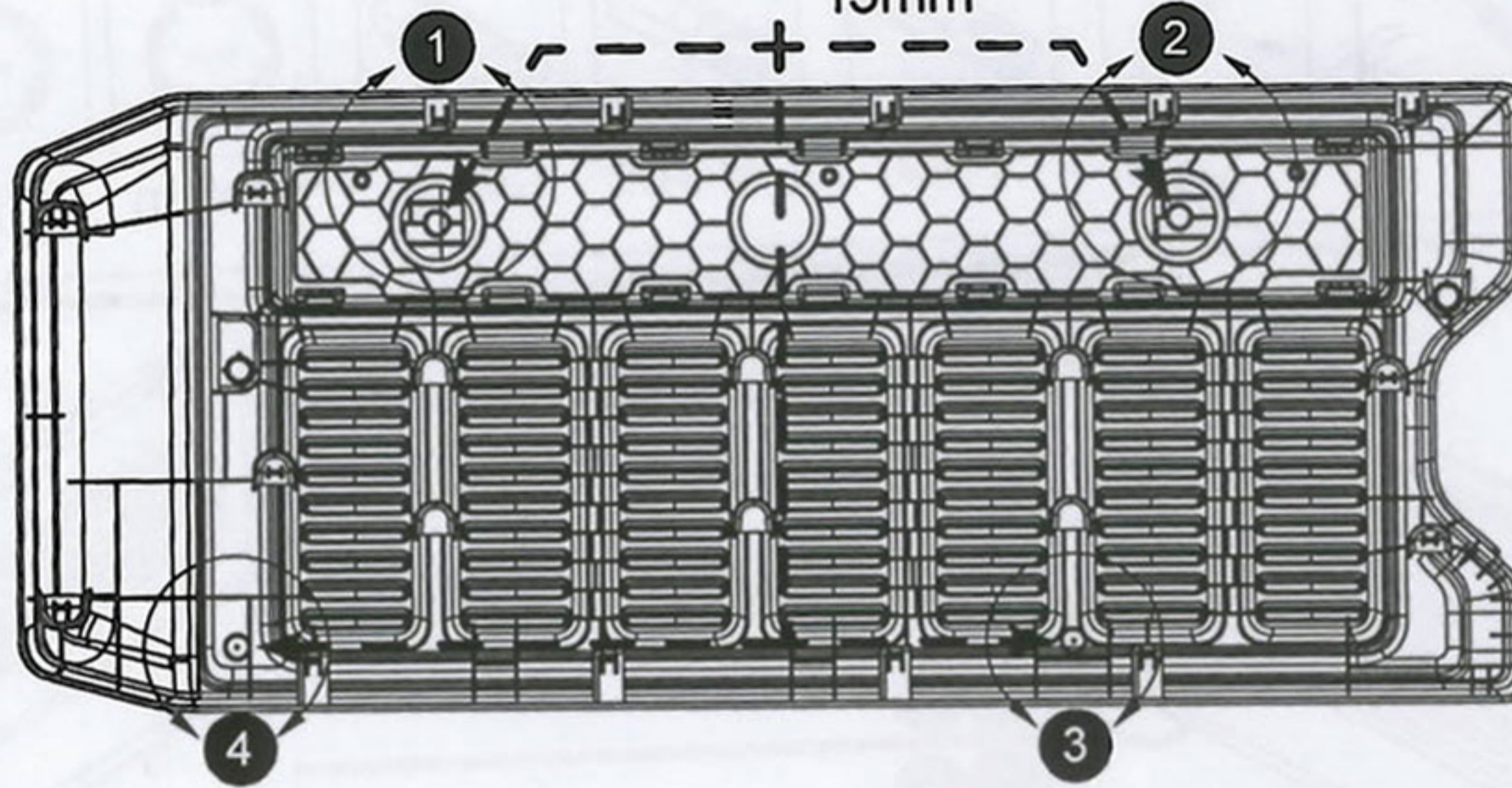




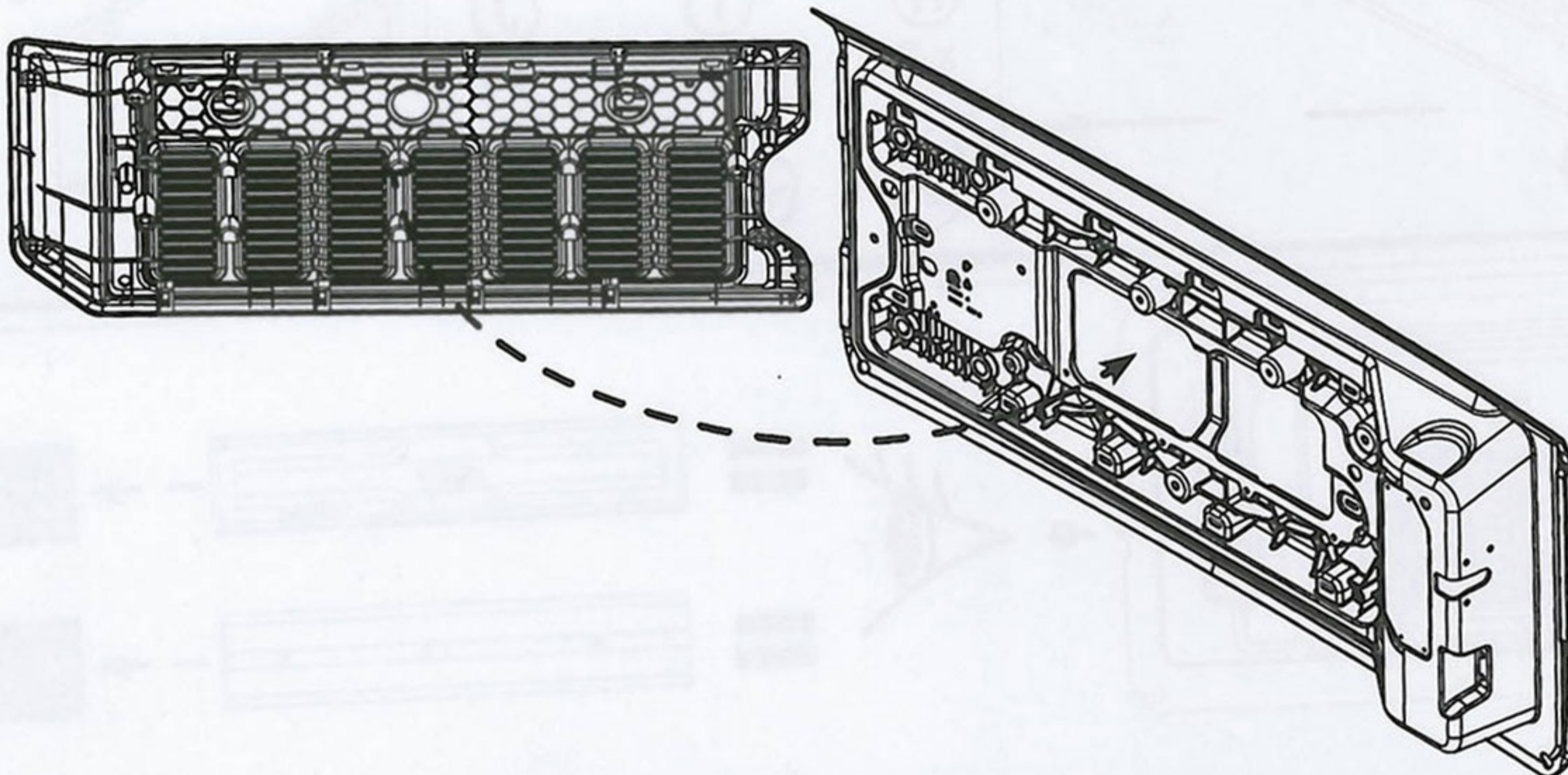
2.1



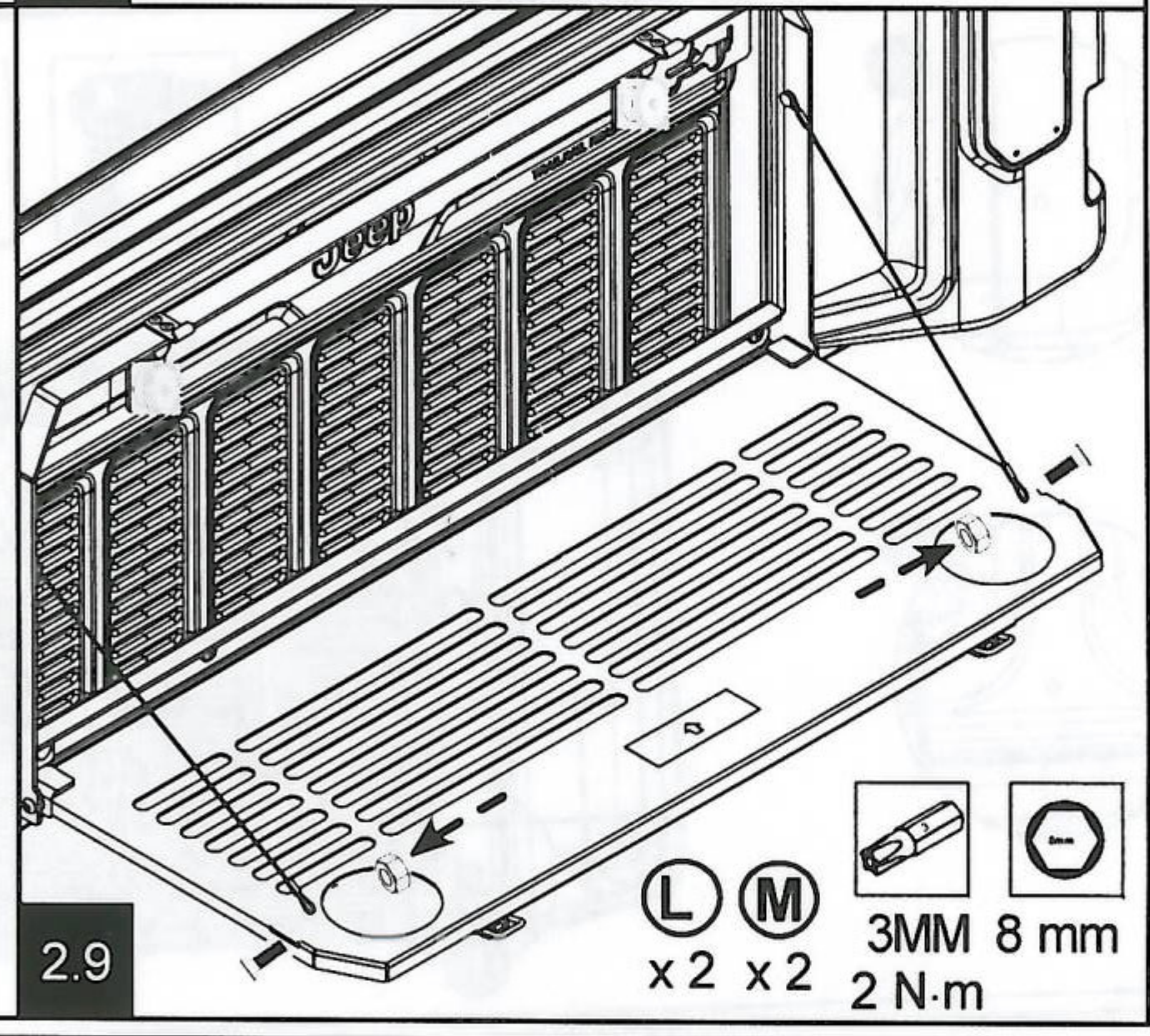
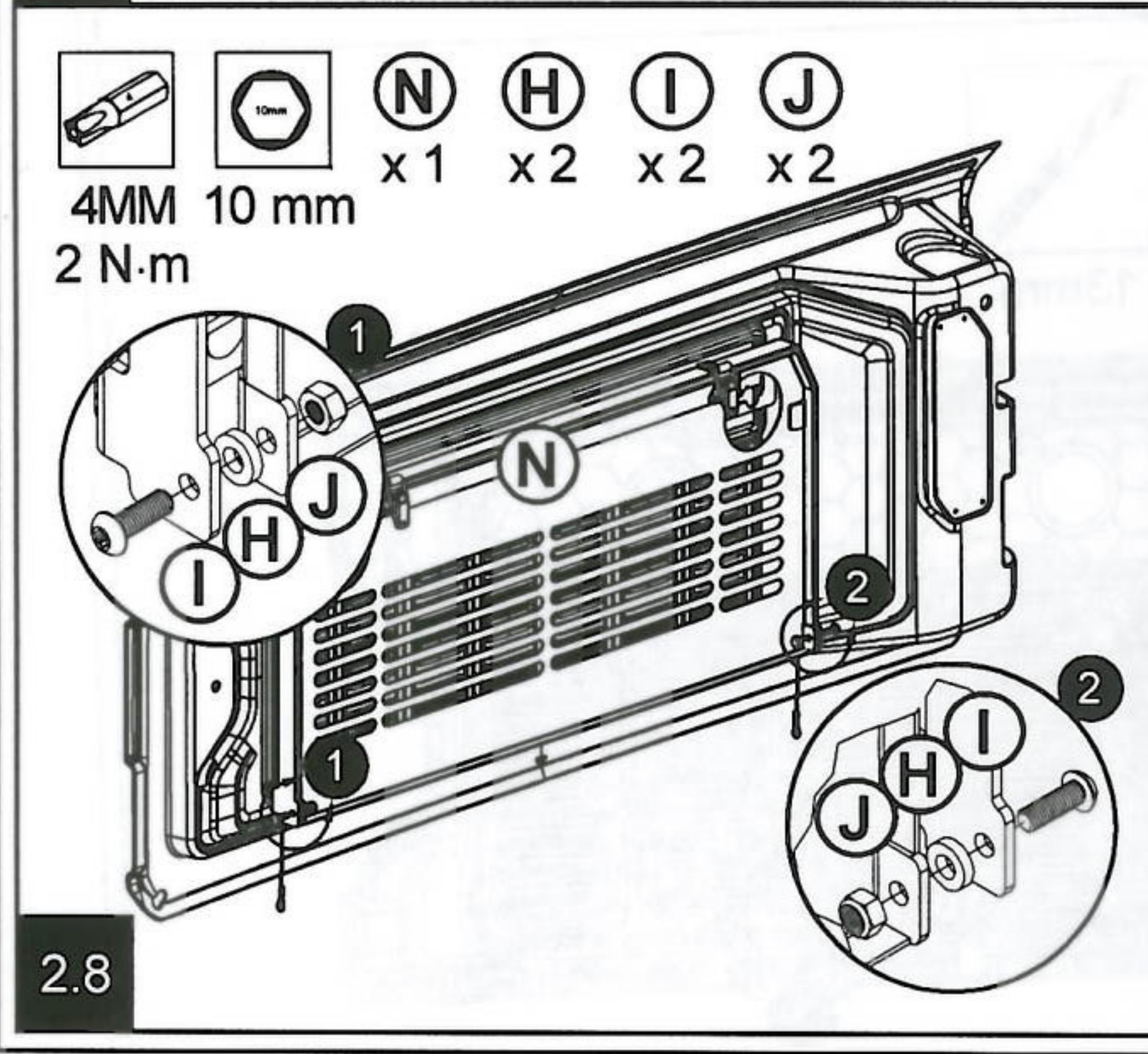
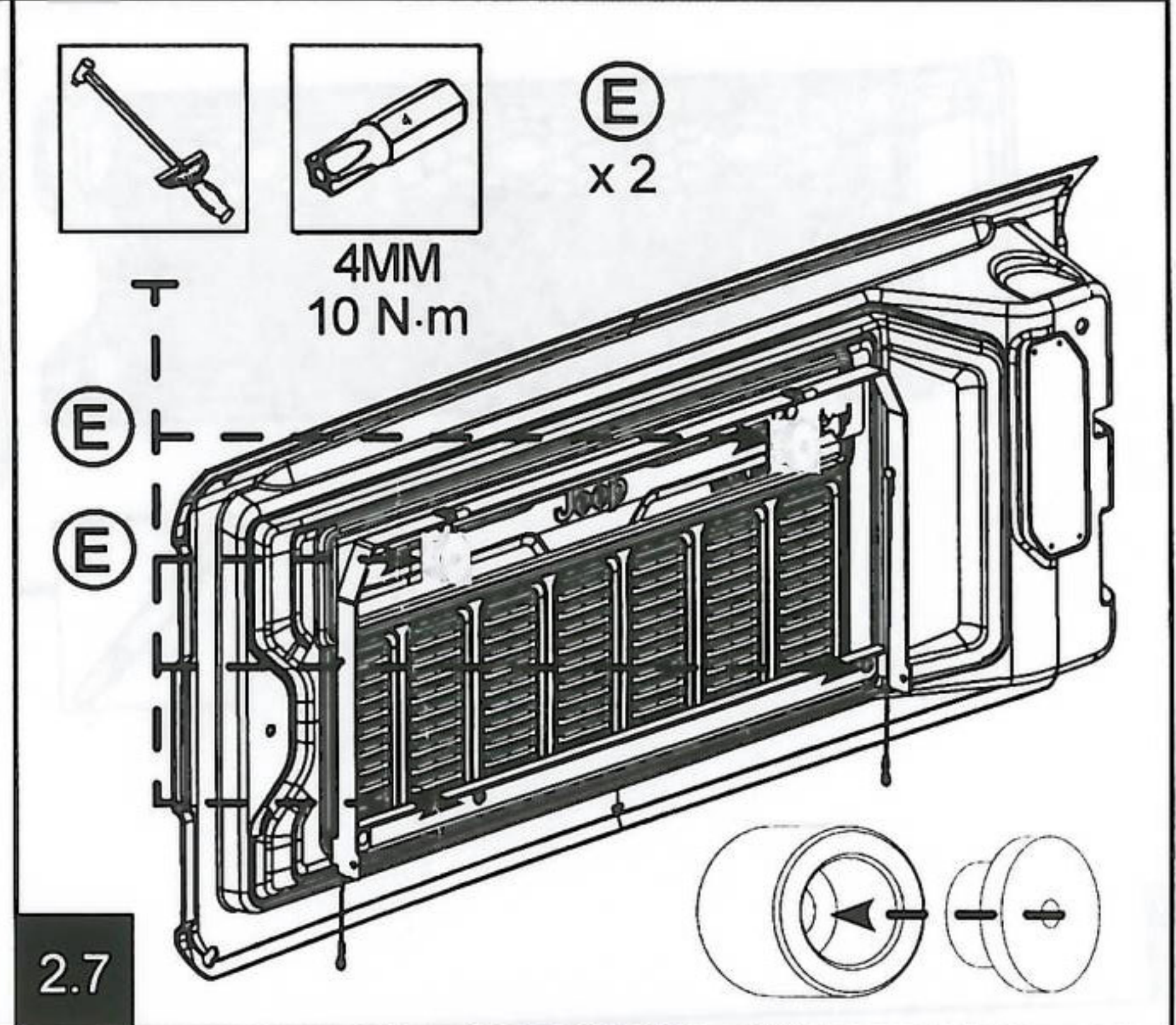
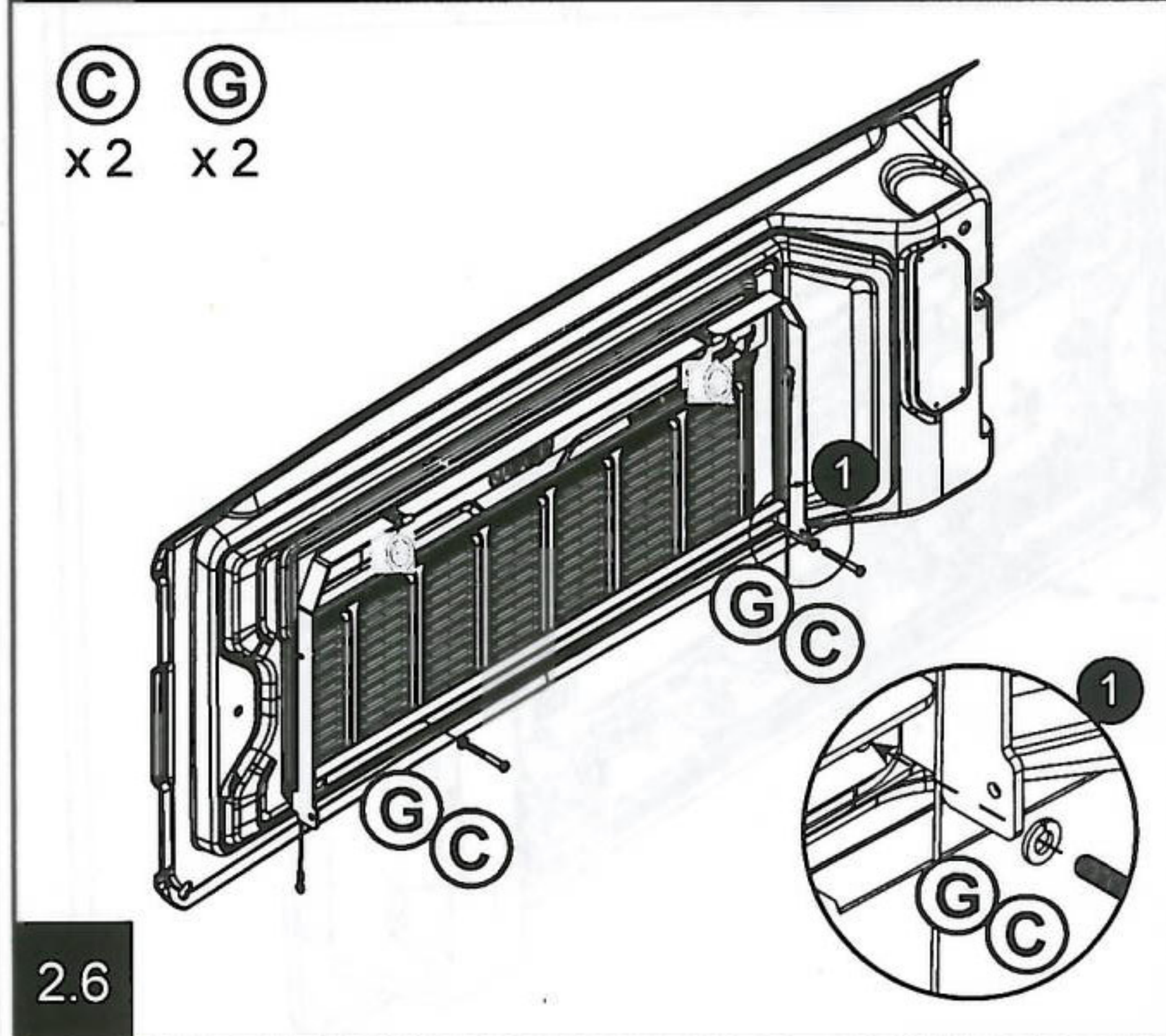
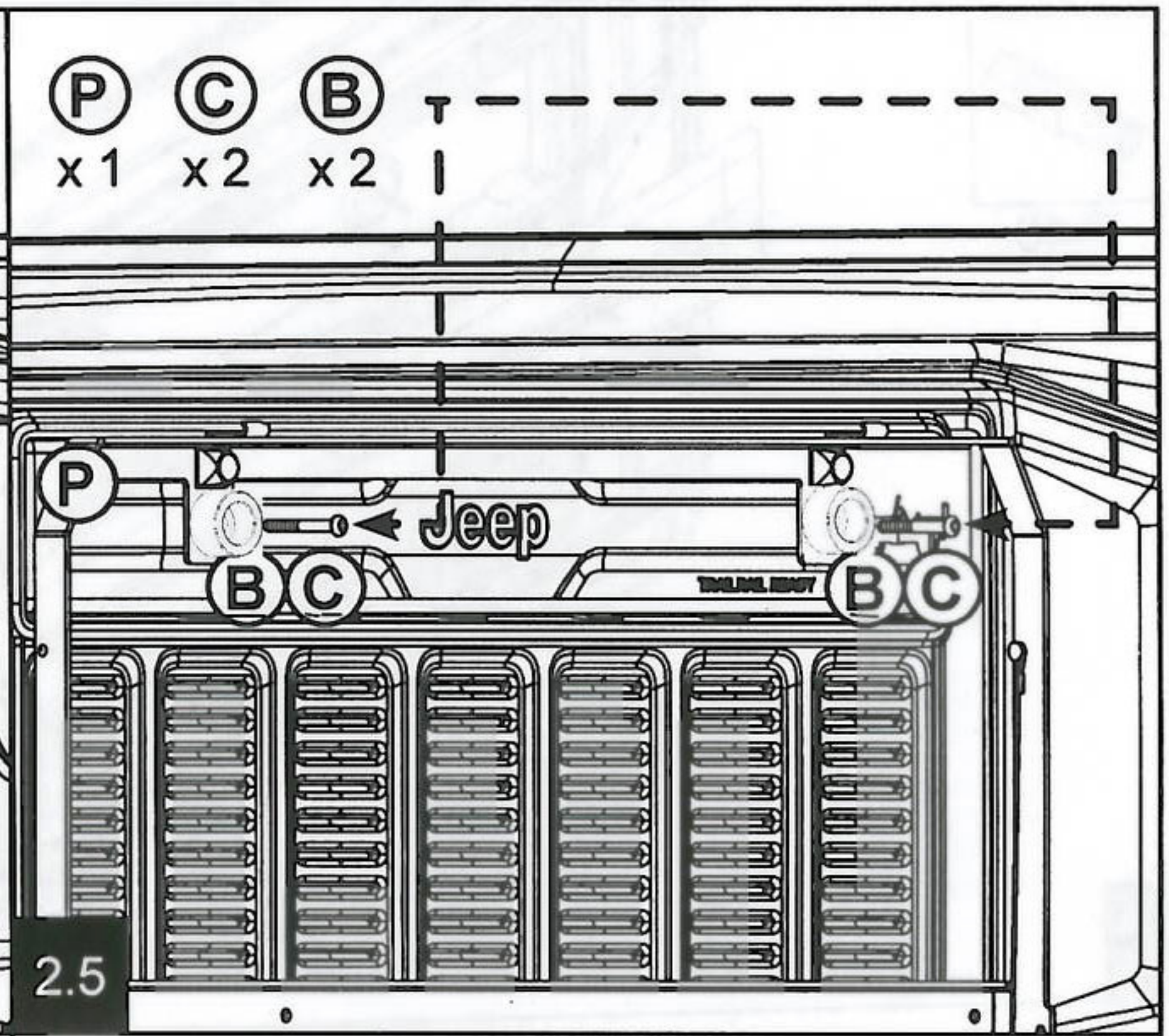
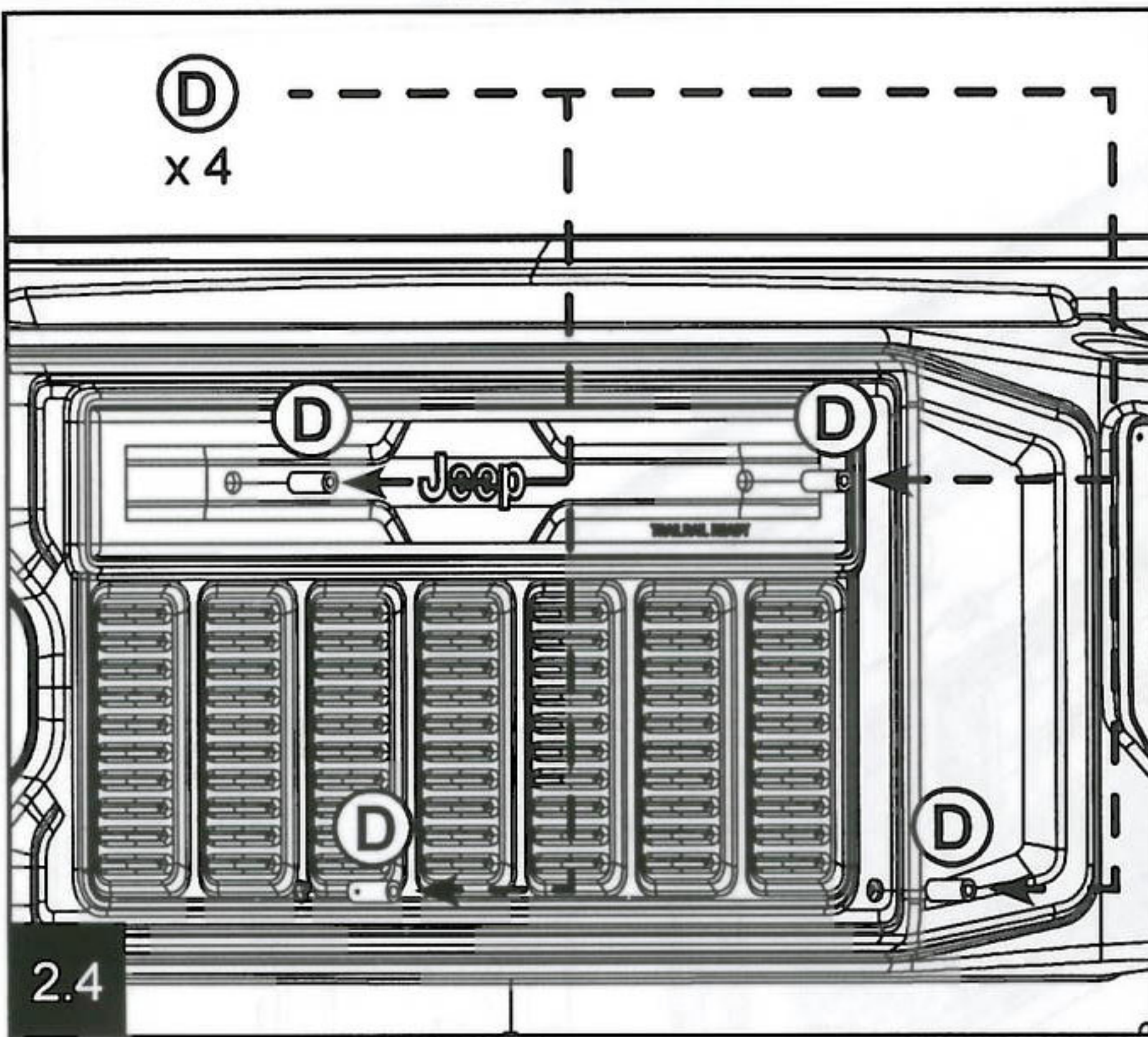
13mm

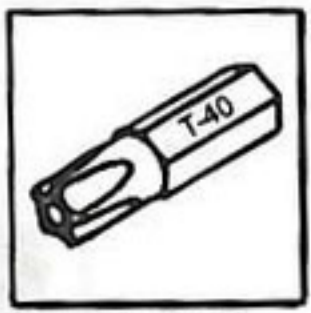


2.2

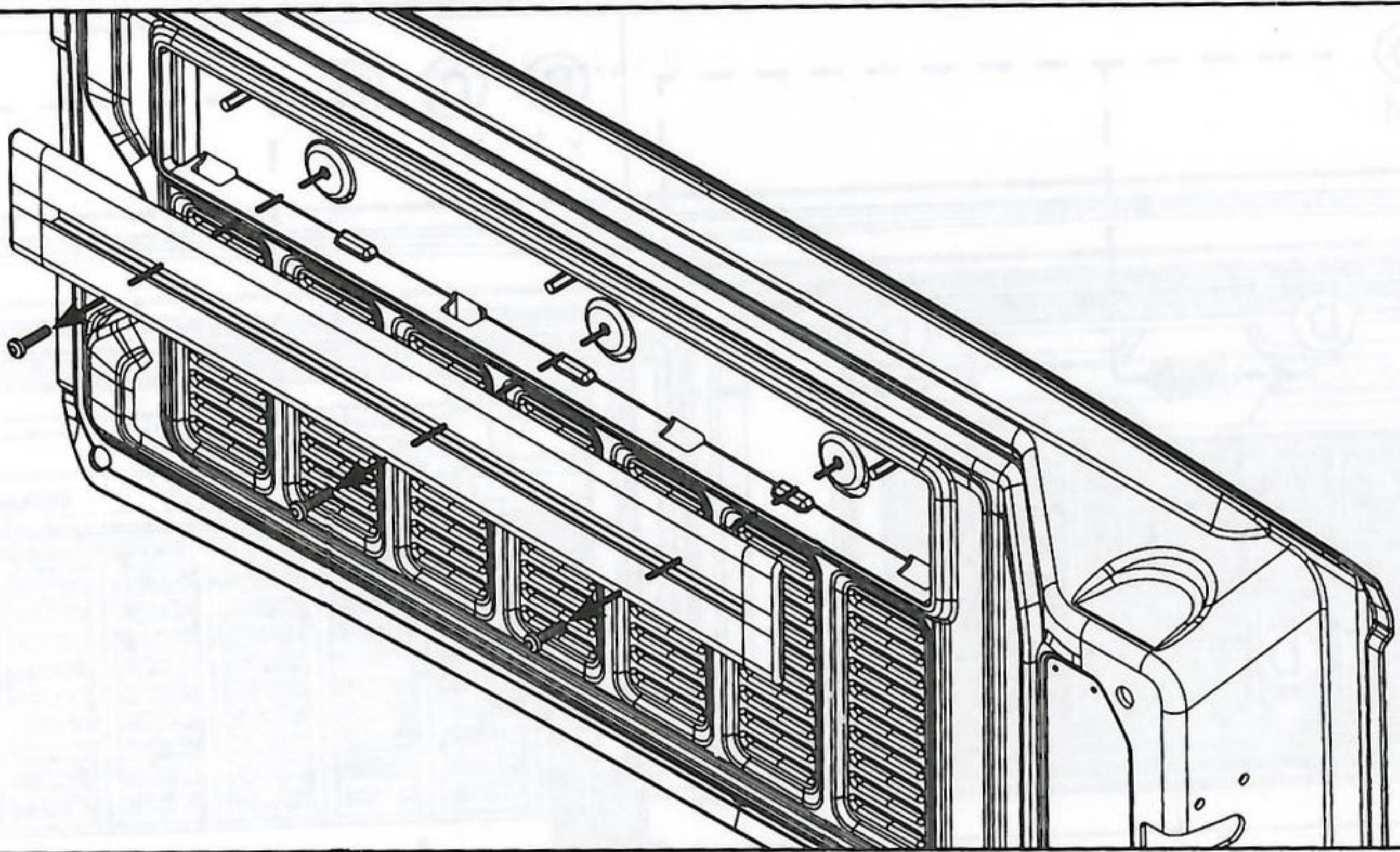


2.3

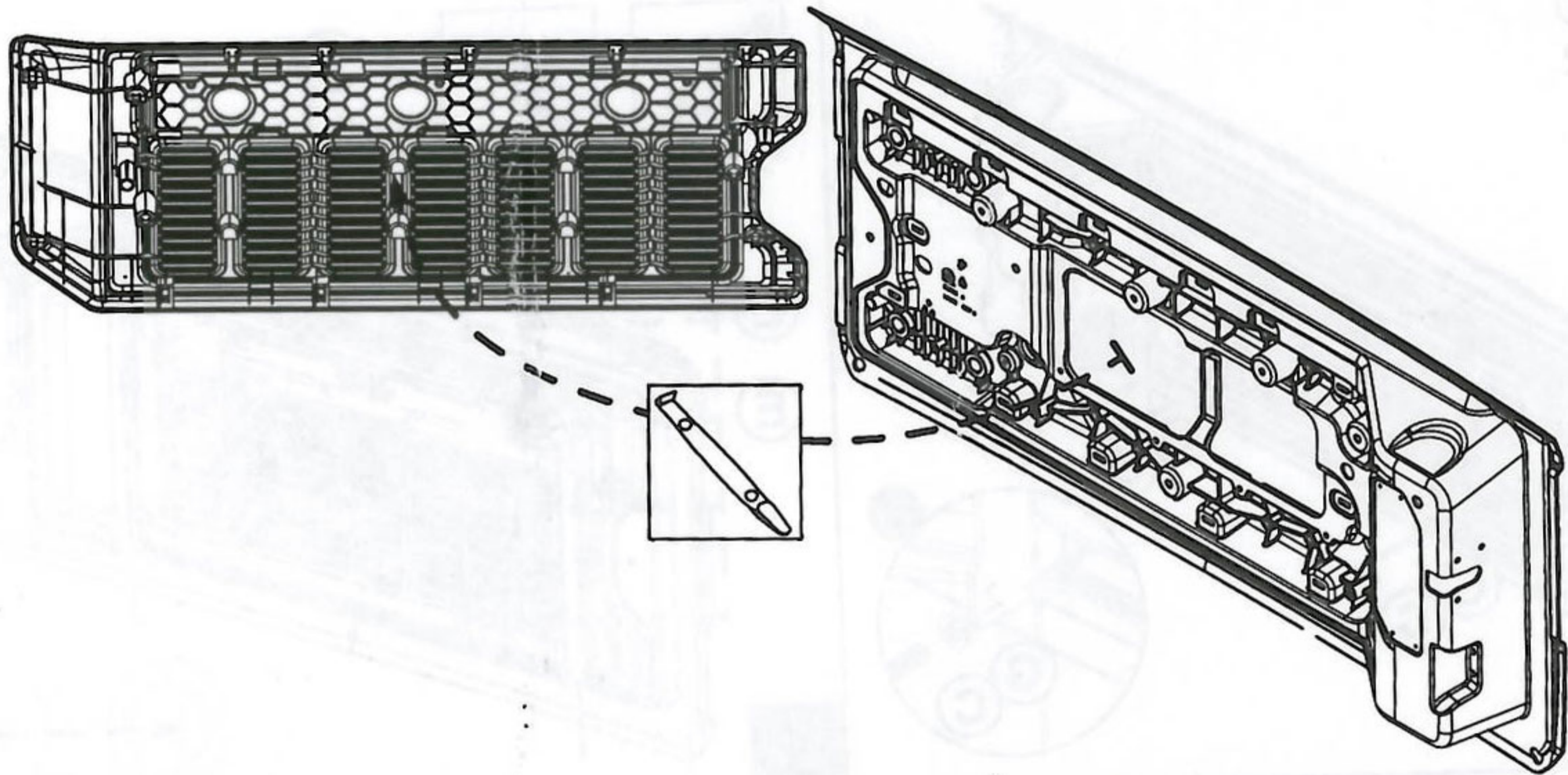




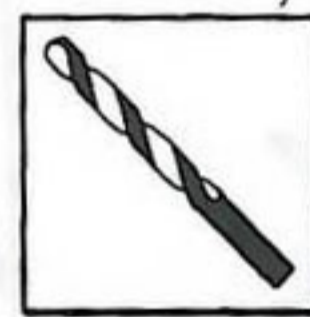
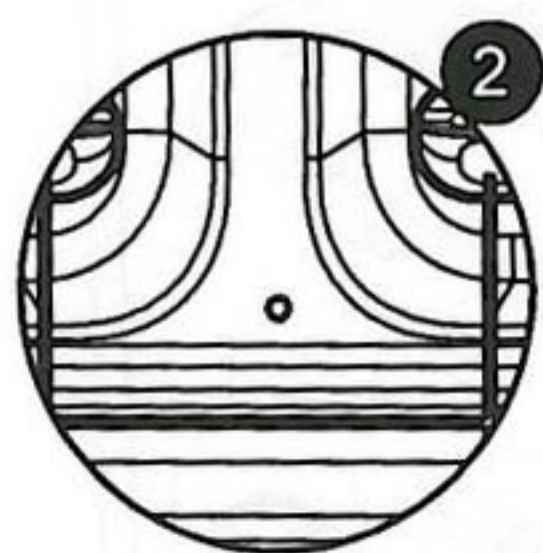
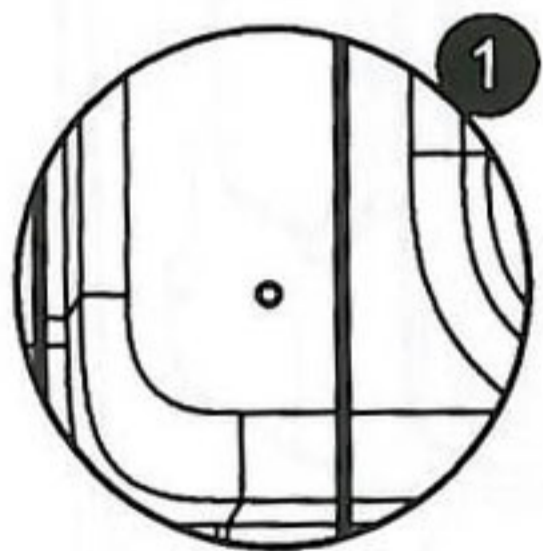
T-40



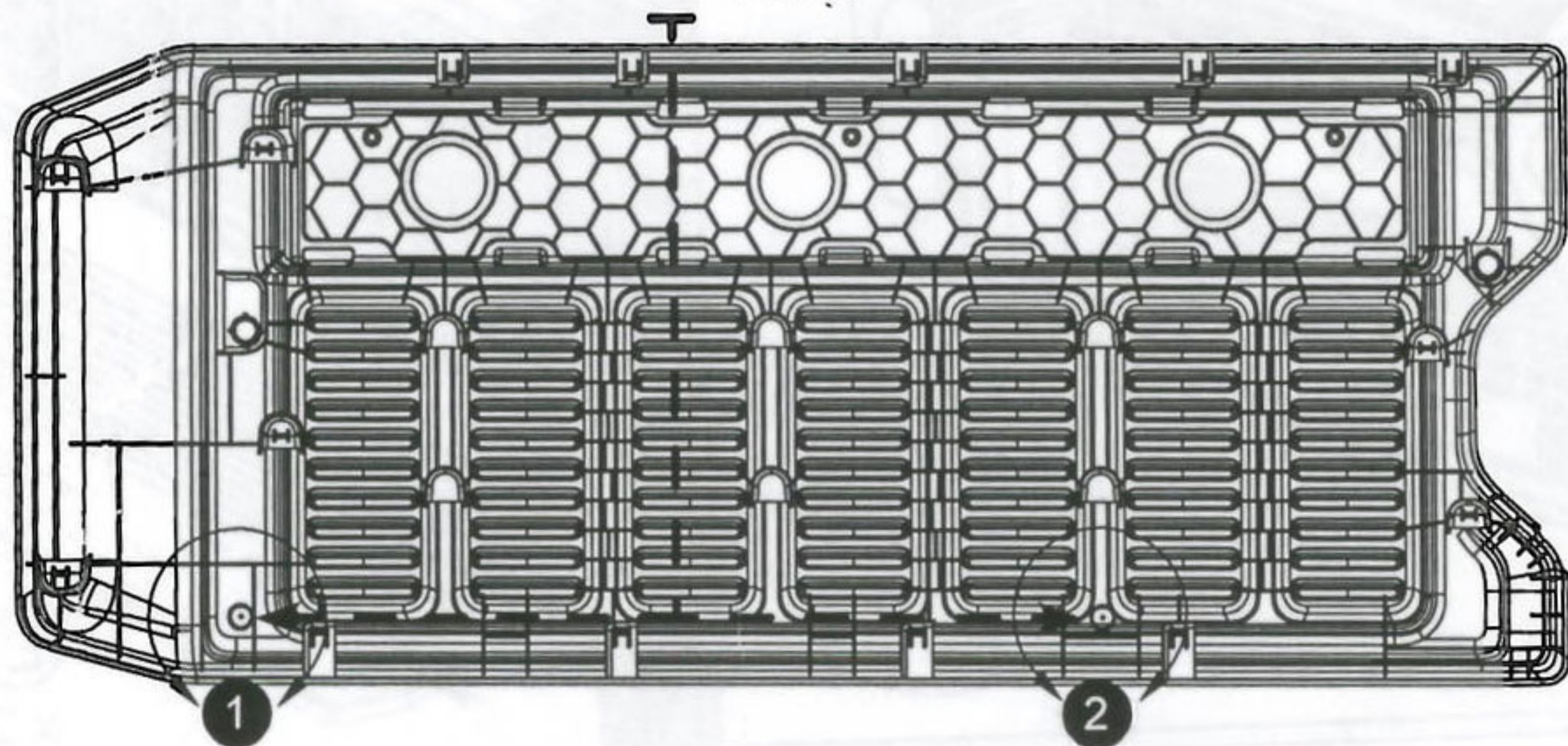
3.1



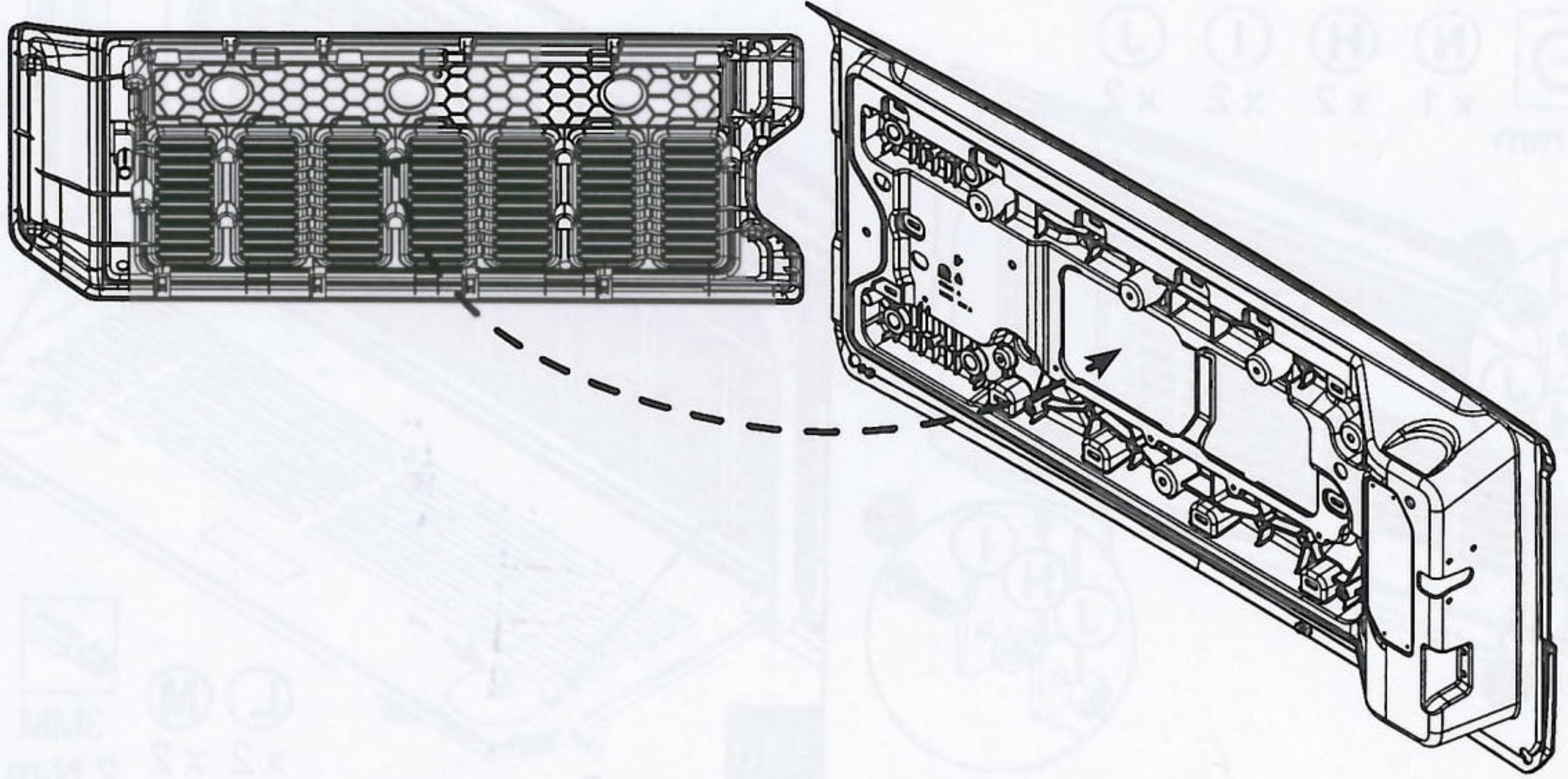
3.2



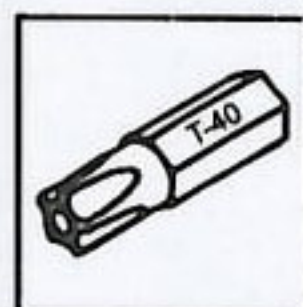
13mm



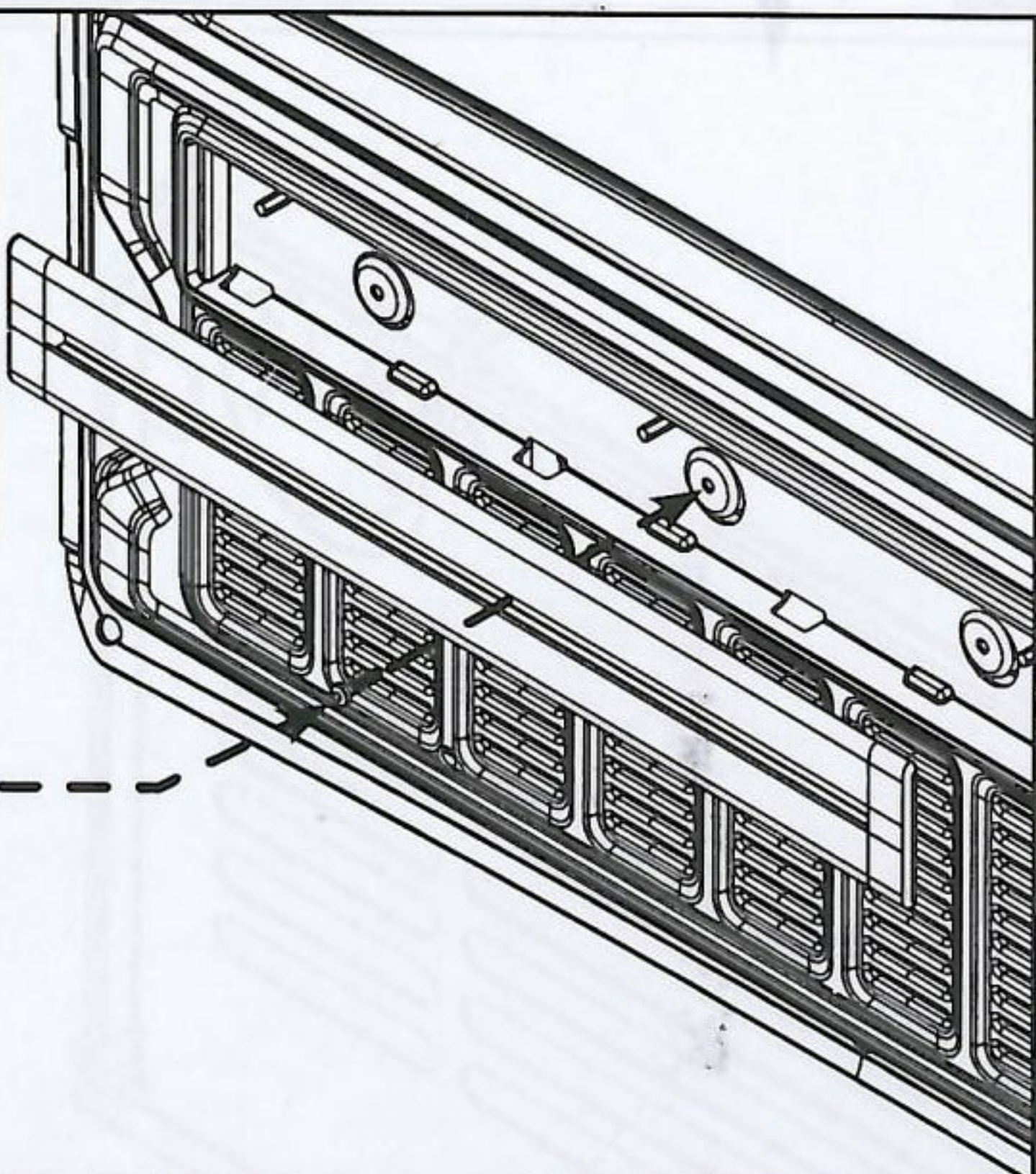
3.3



3.4

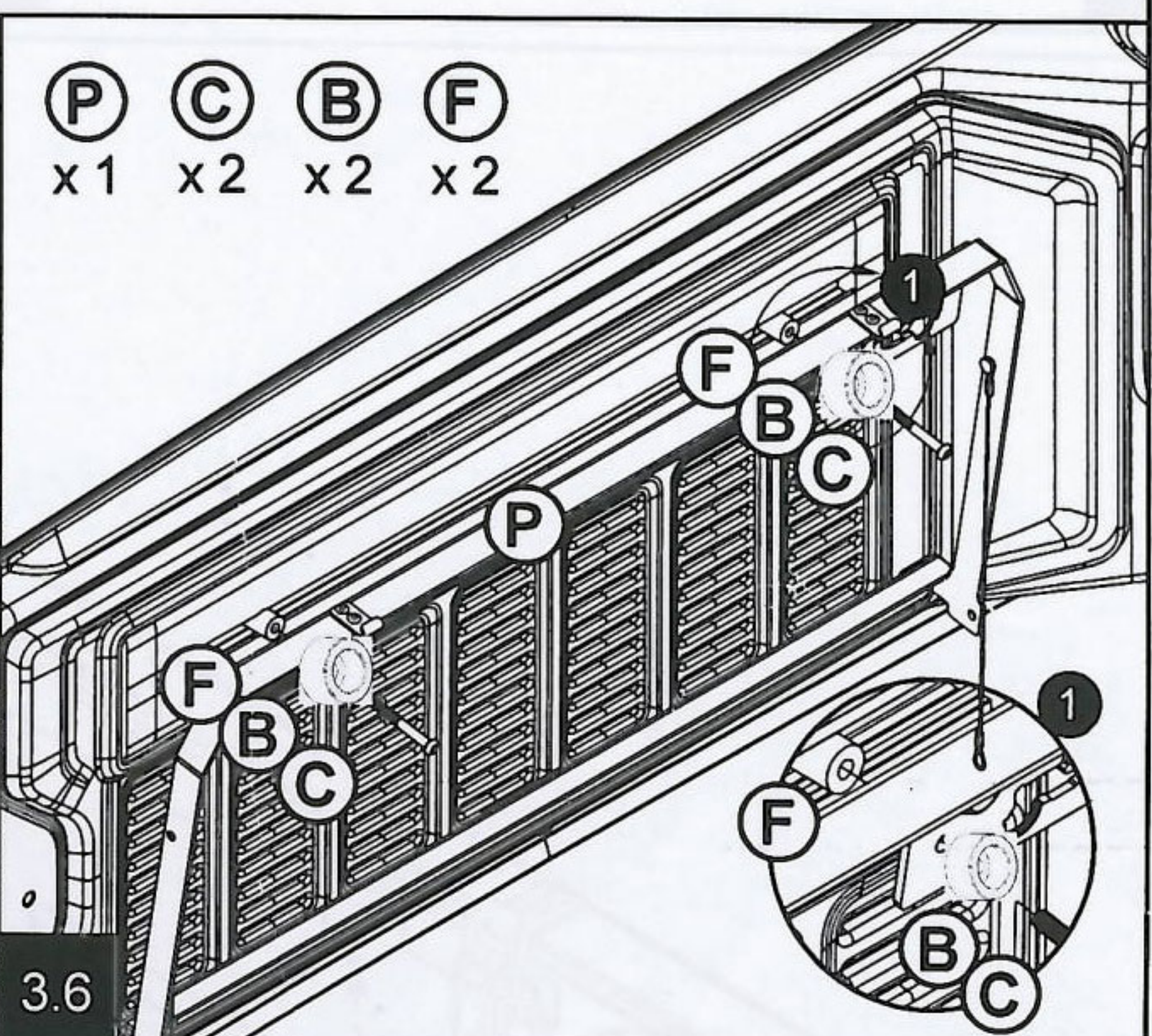


T-40
8 N·m



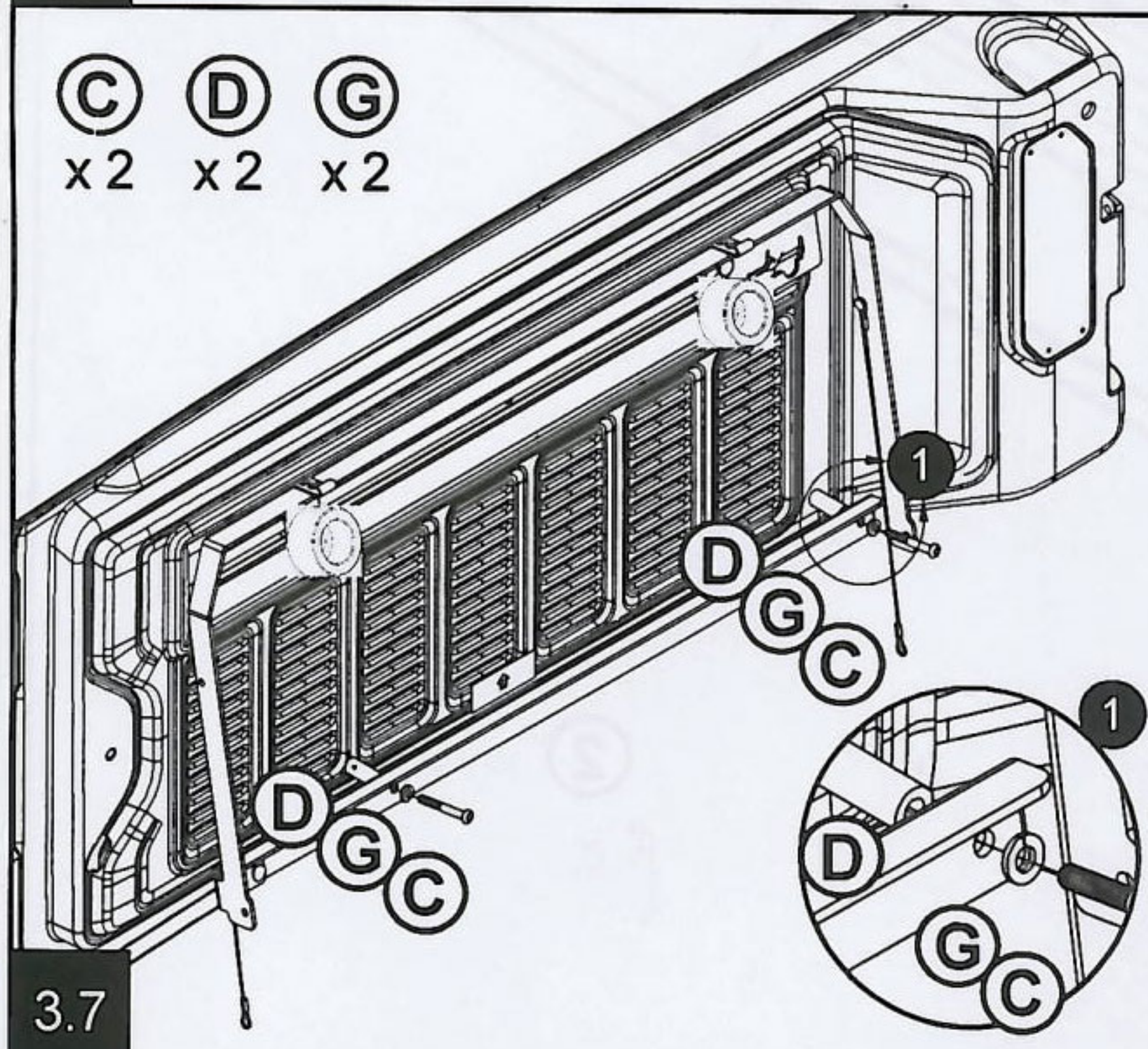
3.5

(P) x1 (C) x2 (B) x2 (F) x2



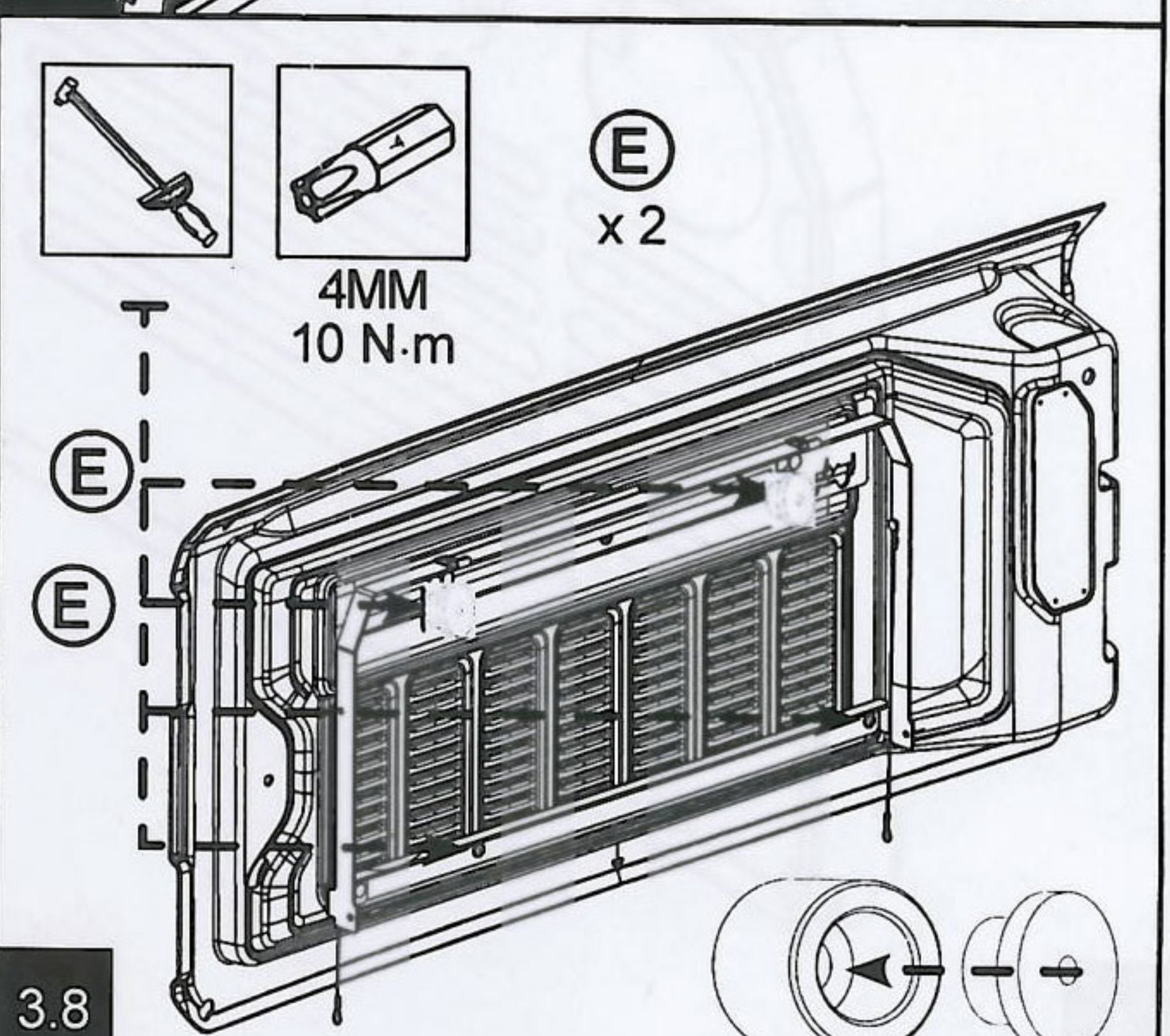
3.6

(C) x2 (D) x2 (G) x2



3.7

(E) x2
4MM
10 N·m



3.8

