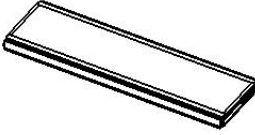
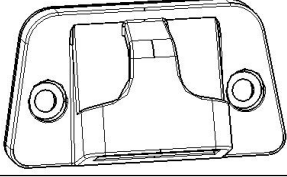
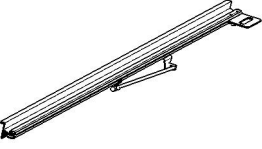
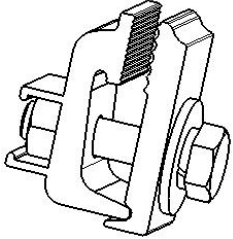

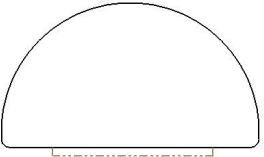
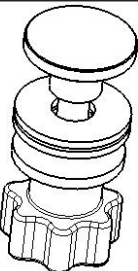
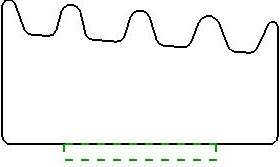
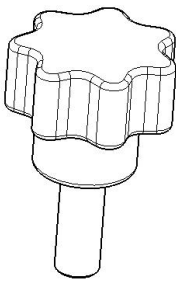
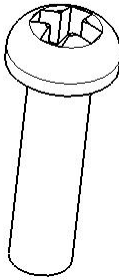
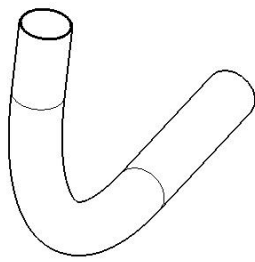


Installation Instructions for HSP Cargo Cover for Ford F-150 (2015+)



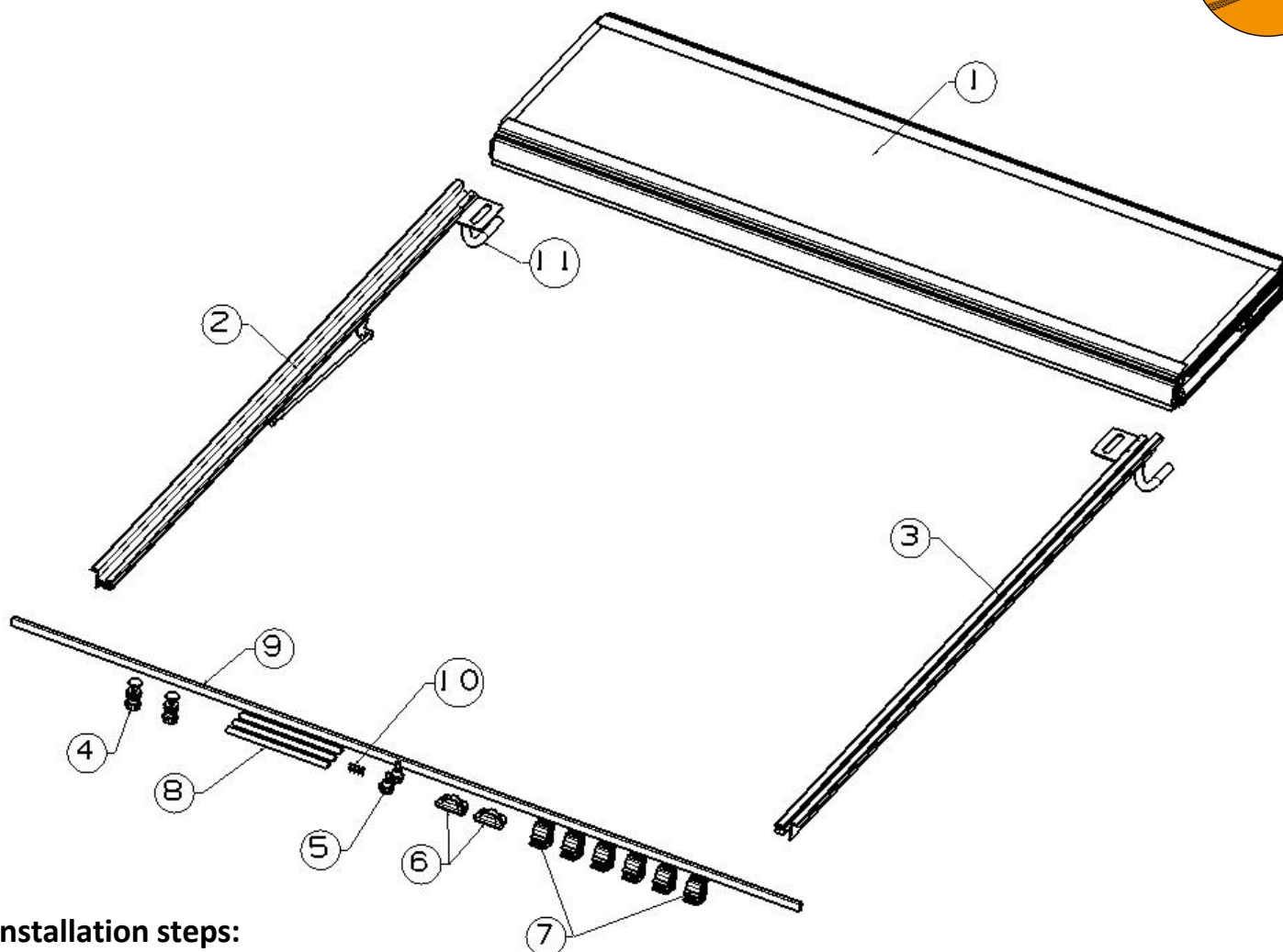
Parts List:

No.	Item	Qty.	Picture	No.	Item	Qty.	Picture
①	Cover	1		⑥	Buckle	2	
②	Left Rail	1		⑦	Clamp	6	
③	Right Rail	1		⑧	Semicircle seal	3	
④	Bolt and knob unit	2		⑨	Bulkhead seal	1	
⑤	Knob bolt	2		⑩	Socket head screw M4x15	4	
				⑪	Drain hose and fastener	2	

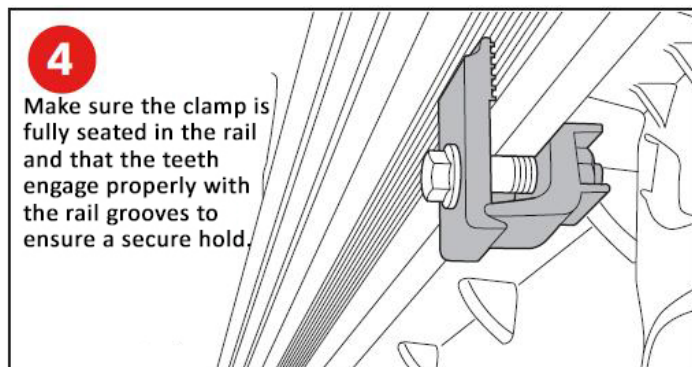
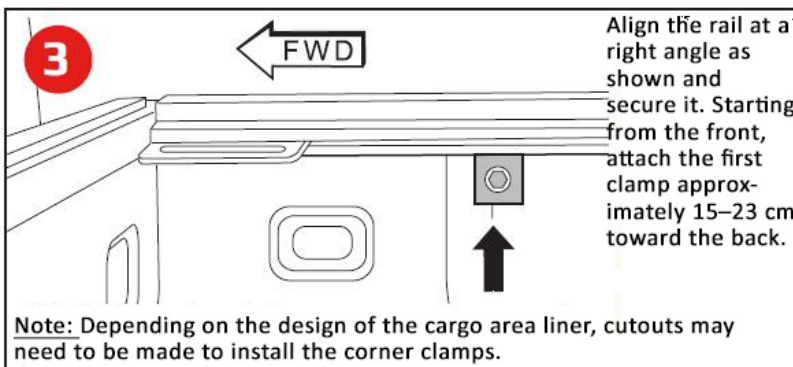
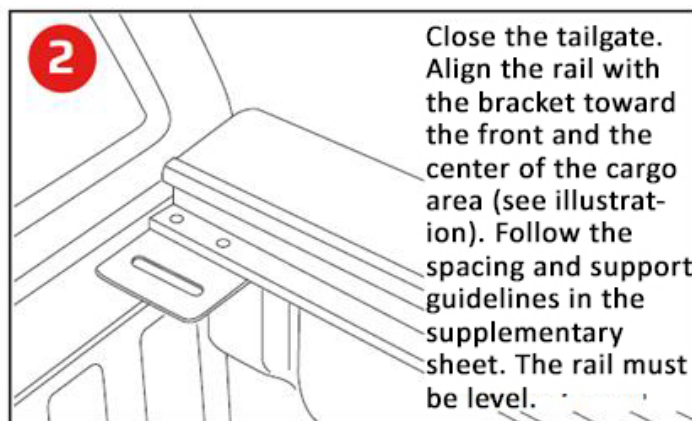
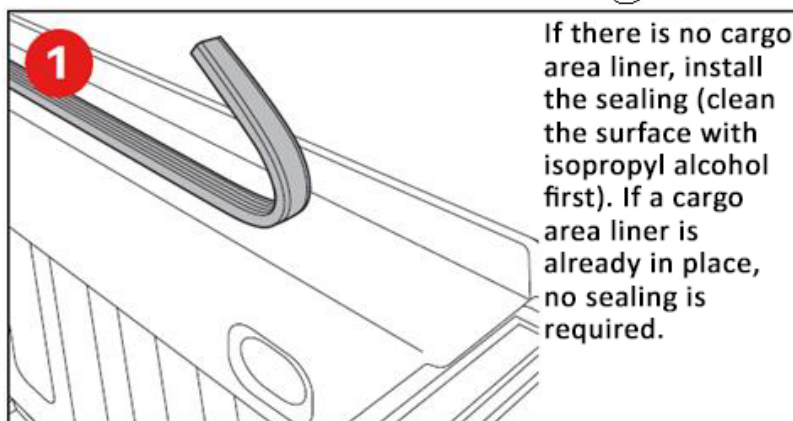
Item. No. 40056
As of: 04/2026

Please contact us if you need assistance
info@hansen-styling-parts.de +49(0)4347-706970

Assembly sketch



Installation steps:



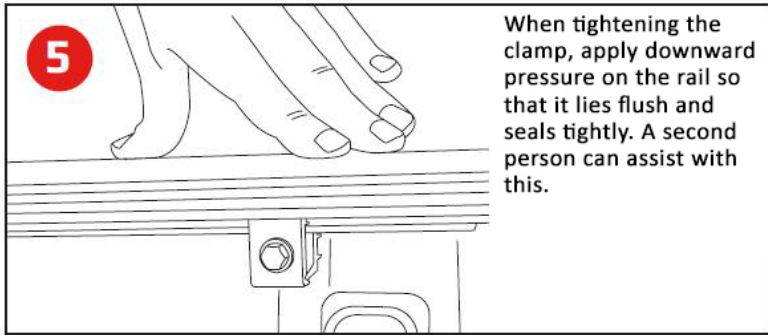
Item. No. 40056

As of: 04/2026

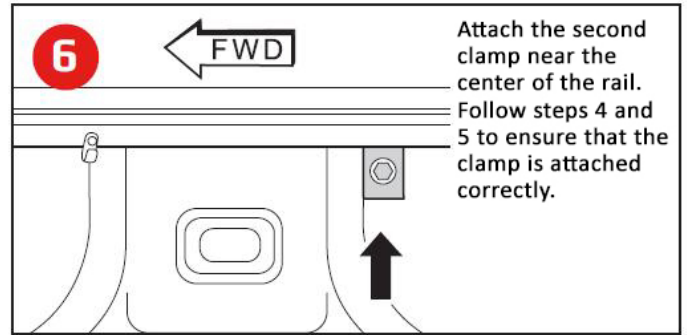
Please contact us if you need assistance

info@hansen-styling-parts.de +49(0)4347-706970

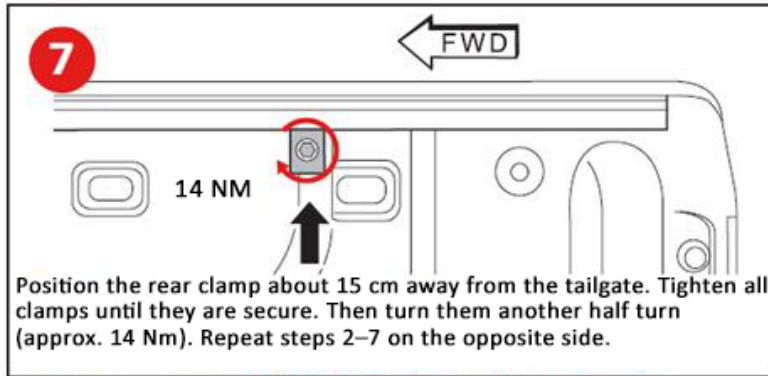
Installation Instructions for HSP Cargo Cover for Ford F-150 (2015+)



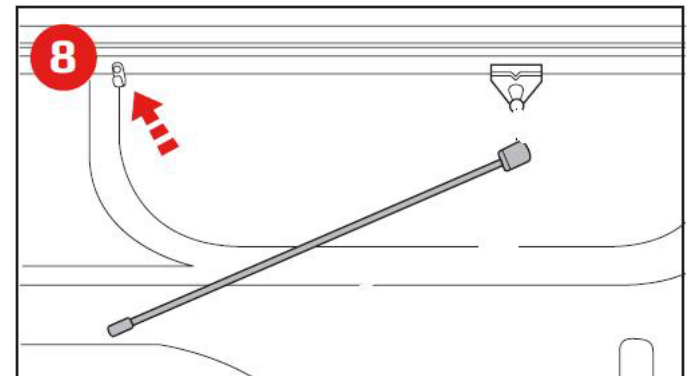
5 When tightening the clamp, apply downward pressure on the rail so that it lies flush and seals tightly. A second person can assist with this.



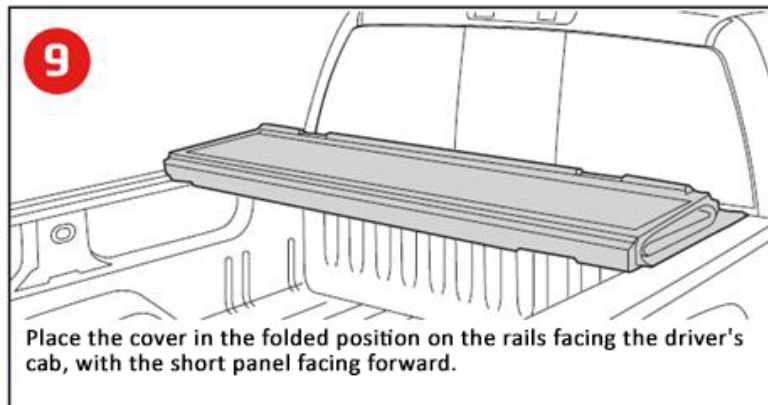
6 Attach the second clamp near the center of the rail. Follow steps 4 and 5 to ensure that the clamp is attached correctly.



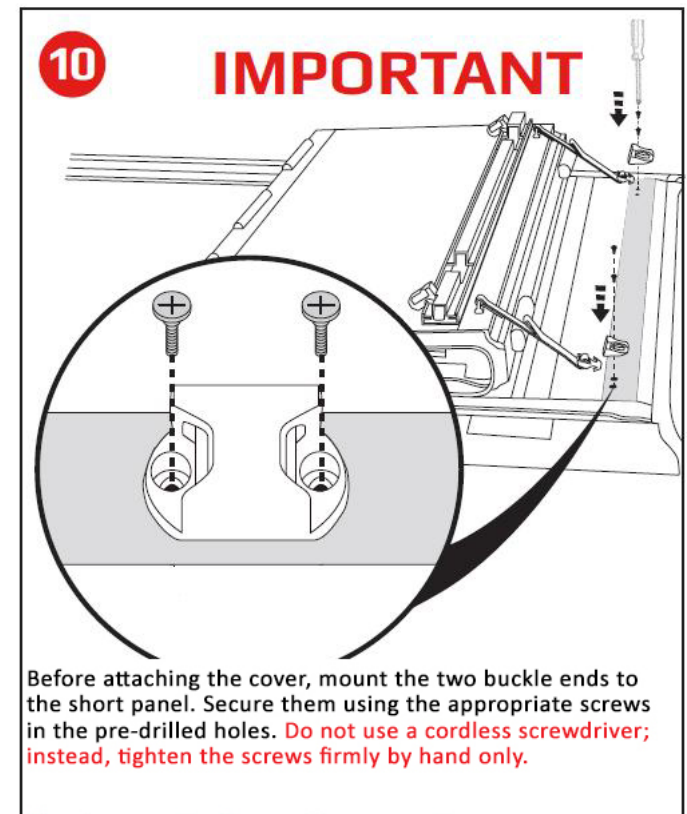
7 Position the rear clamp about 15 cm away from the tailgate. Tighten all clamps until they are secure. Then turn them another half turn (approx. 14 Nm). Repeat steps 2-7 on the opposite side.



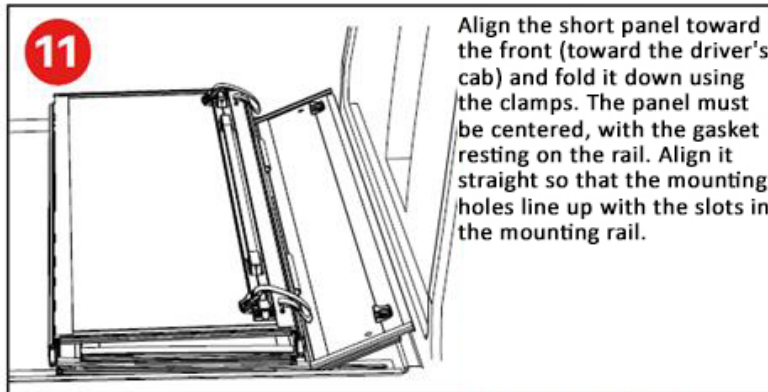
8



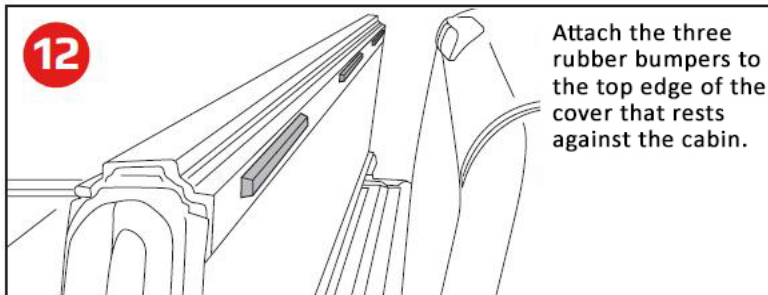
9 Place the cover in the folded position on the rails facing the driver's cab, with the short panel facing forward.



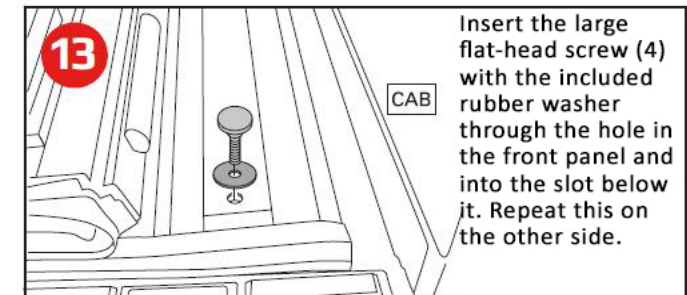
10 **IMPORTANT** Before attaching the cover, mount the two buckle ends to the short panel. Secure them using the appropriate screws in the pre-drilled holes. **Do not use a cordless screwdriver; instead, tighten the screws firmly by hand only.**



11 Align the short panel toward the front (toward the driver's cab) and fold it down using the clamps. The panel must be centered, with the gasket resting on the rail. Align it straight so that the mounting holes line up with the slots in the mounting rail.



12 Attach the three rubber bumpers to the top edge of the cover that rests against the cabin.



13 Insert the large flat-head screw (4) with the included rubber washer through the hole in the front panel and into the slot below it. Repeat this on the other side.

Item. No. 40056

As of: 04/2026



Please contact us if you need assistance

info@hansen-styling-parts.de +49(0)4347-706970

www.hansen-styling-parts.de



14

The large flat screw is threaded through the front panel from top to bottom on each side. Under the cover, the order is as follows: first the rubber washer, then the flat washer, followed by the lock washer, and finally the 5-point knob, as shown on the left.

15

Insert the washers from below and tighten the knob by hand.

16

Fold the cover open toward the tailgate and make sure it is centered between the rails.

17

When installed correctly, the end of the cargo cover should now sit just inside the tailgate (with a gap of about 6 mm).

18

The rubber seal rests on the top of the tailgate.

19

Once the cover is in place, fold it toward the cab and tighten the knobs until the locking disc flattens and the knob locks securely into the bracket.

20

Route the drain hoses from the end of the rail through the original cargo area drains to the outside. Simply remove these plugs or drill a hole through the plug.

Item. No. 40056

As of: 04/2026

Please contact us if you need assistance

info@hansen-styling-parts.de +49(0)4347-706970





Important Note

While driving, the cover must lie completely flat and be secured, with all latches closed or fully raised (all panels) and secured to the cab. Do not drive with the cover partially open.

Cover positions while driving

Before operating the vehicle, the cargo area cover must be properly secured.

Closed position

All panels must be closed and fully locked into place on the cargo area side rail. All panels must lie flat, and the latches must be engaged.

Folded up position

To drive with the cover folded down, simply use the included straps and buckles. Make sure both buckle clips are fully inserted into the buckle ends on the front top of the cover, and adjust the straps to ensure the cover stays securely in place while driving. The clips should be secured in the storage position, as shown in Figure 1, when not in use.

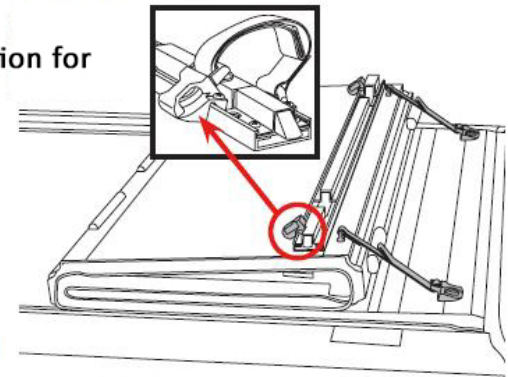
Flipped up position

A) Fold the cover open and lift it until it is positioned vertically at a 90-degree angle toward your cabin. Then release the support bar attached to the rail. Flip the support bar over and position it firmly against the vertical panel on the underside of your cover. Then push the support rod's latches down and tighten the knobs to lock them in place. Do this on both sides of the cover.

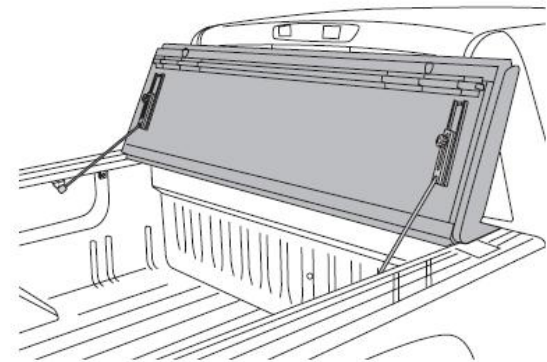
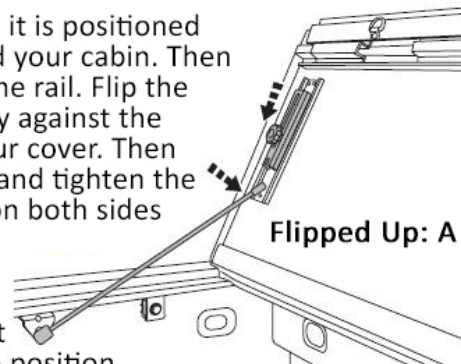
B) The cover should be securely in place and show little to no movement once the support rods are locked into position.

Storage position for the clip

Figure 1



Folded up position



Flipped up: B



Item. No. 40056

As of: 04/2026

Please contact us if you need assistance

info@hansen-styling-parts.de +49(0)4347-706970



www.hansen-styling-parts.de

5/5